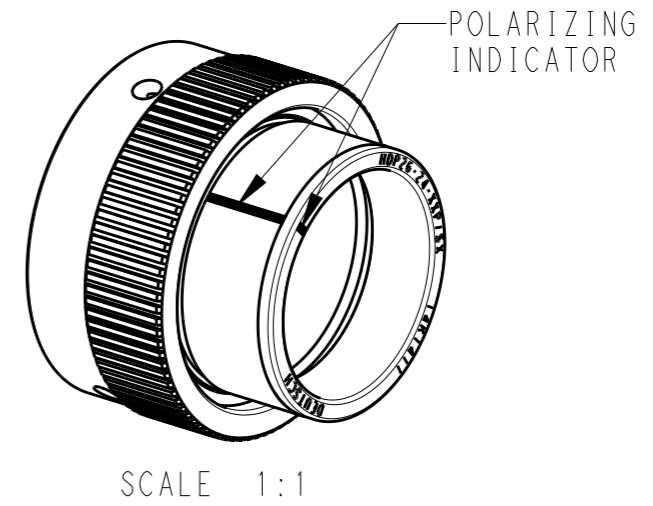
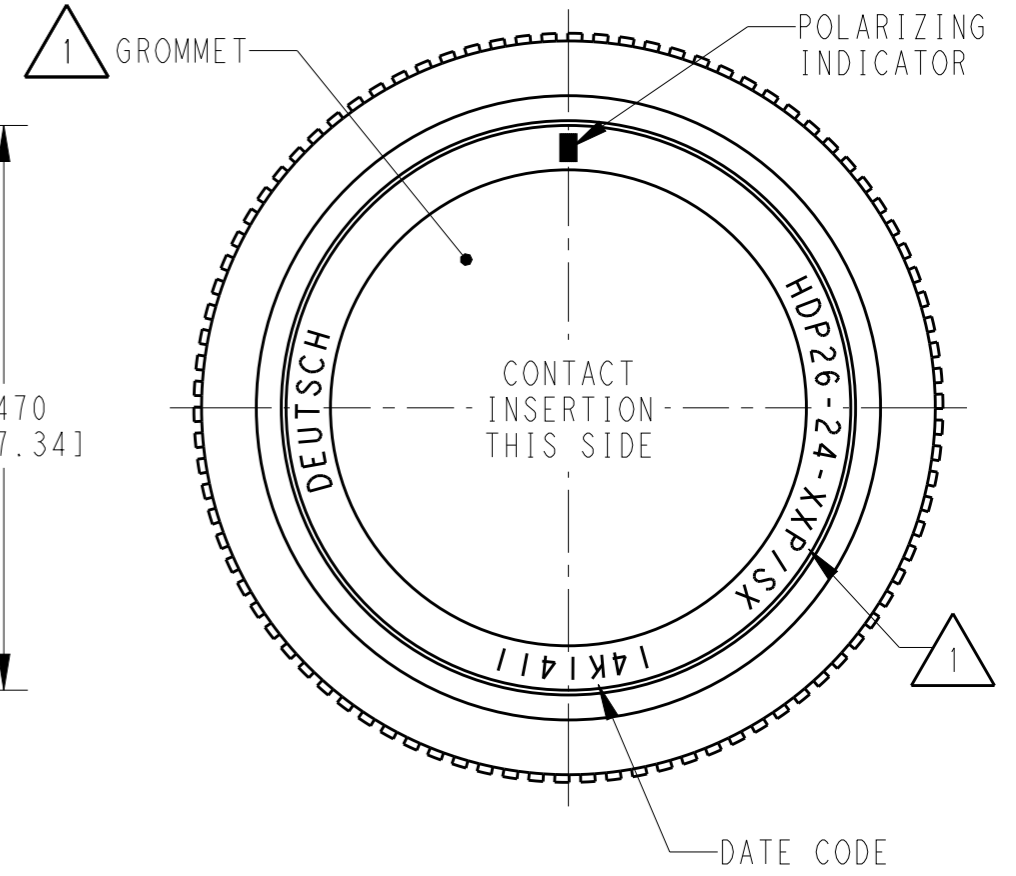
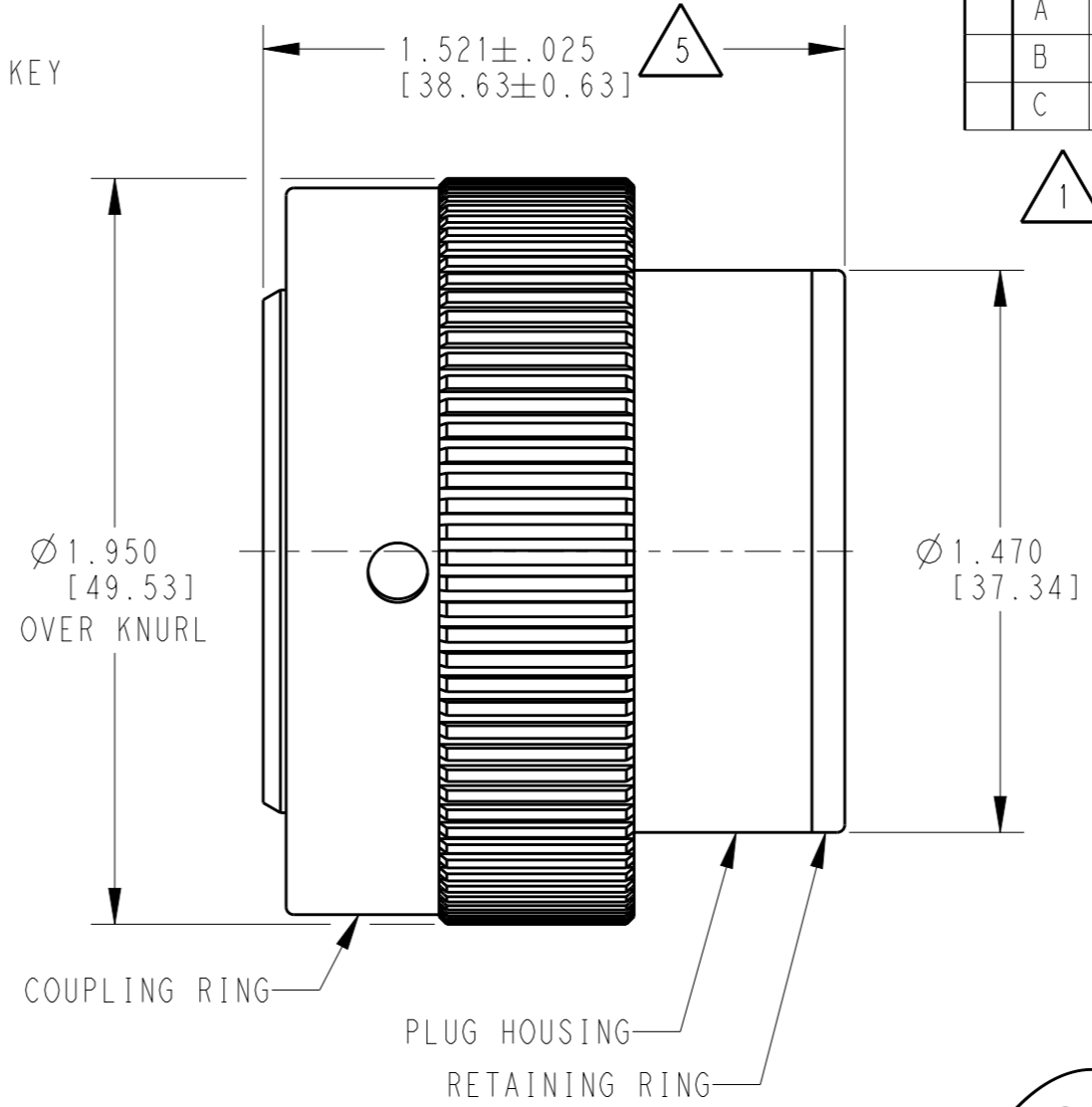
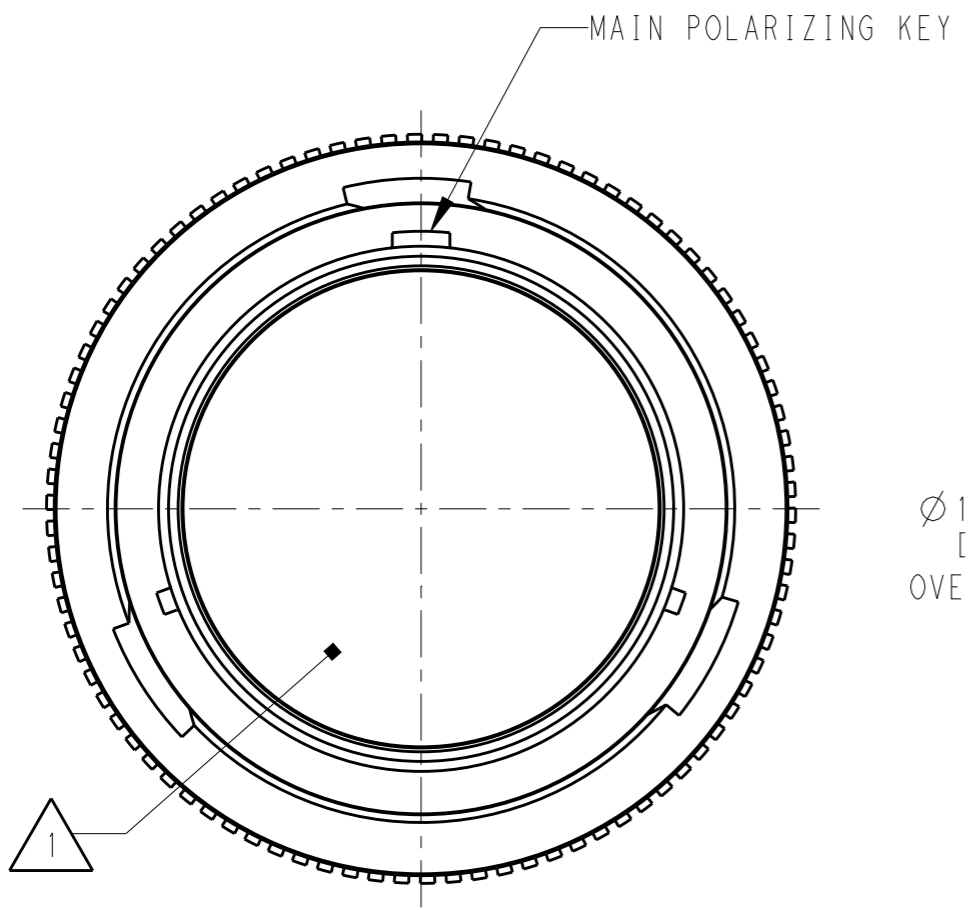


LOC	DIST	REVISIONS				
P	LTR	DESCRIPTION	DATE	DWN	APVD	
	NC	NEW RELEASE PER E.O. P16572	07MAR2000	SB	RDR	
	A	REVISED PER E.O. P16875	29SEP2000	SB	RDR	
	B	REVISED PER E.O. P18119	15APR2003	AR	RDR	
	C	REVISED PER ECO-14-019072	23FEB2015	JA	DM	



- △5 NOTED DIMENSION DOES NOT INCLUDE GROMMET PROTRUSION.
- △4 MATERIAL: PLUG HOUSING/COUPLING RING: PA66 GF10 (BLACK)
RETAINER RING: PA66 GF10 (GREEN, GRAY, BLUE)
GROMMET: SILICONE (ORANGE-RED)
- △3 SEE 0425-021-0000 APPLICATION SPECIFICATION
A. RECOMMENDED WIRE INSULATION RANGE
B. CONTACT REMOVAL TOOLS

2. THIS PLUG MATES WITH HDP24-24XXP/SX-XXXX RECEPTACLE
 X = SEAL TYPE (N,T,E)
 XX = INSERT ARRANGEMENT
 XXXX = MODIFICATION

△1 SEE CUSTOMER DRAWING 0425-014-2400 FOR AVAILABLE INSERT ARRANGEMENTS AND PART NUMBERS.

NOTES:

THIS DRAWING IS A CONTROLLED DOCUMENT.		DWN	06MAR2000	STE TE Connectivity	
DIMENSIONS: INCHES [mm]		CHK	11APR2003		
TOLERANCES UNLESS OTHERWISE SPECIFIED:		APVD	11APR2003		
0 PLC ± 1 PLC ± 2 PLC ± 3 PLC ±.015 [0.38] 4 PLC ± ANGLES ± ±0°30'0"		PRODUCT SPEC	0425-021-0000	NAME	PLUG, COUPLING RING SIZE 24 HDP SERIES
MATERIAL △4		FINISH	N/A	APPLICATION SPEC	△3
		WEIGHT		SIZE	A3
		Customer Drawing		CAGE CODE	4AFU8
				DRAWING NO	Ⓞ=HDP26-24-XXP/SX
				RESTRICTED TO	-
				SCALE	2:1
				SHEET	1 OF 1
				REV	C